

JVC®

The Perfect Experience / —
/

DIGITAL PRESENTER

AV-P960

High-resolution XGA display with sharp, high-contrast text and superbly clear still & video images

XGA
850,000-
pixel CCD

- XGA high-quality still and video images generated by 850,000 pixel CCD
- Smooth video at 20 frames per second video rate
- Compact design at only 500mm depth
- Light and easy to carry at only 6kg
- 48x zoom: 12x optical zoom, with 4x digital zoom
- Extendable arm with swiveling head and close-up adaptor
- Increased legibility with 'Clear Character' mode
- Hand-held wireless remote control
- PC connectivity via USB port
- SD card slot



Excellent image quality and versatile functions assure first-class presentations with the AV-P960 connected to a high-resolution projector

- Actual-size presentation with high-quality digital XGA images**
 For impressive, top-class presentation performance, the AV-P960 features resolution of 1,024 x 768 pixels (XGA), providing images that complement today's high-quality digital environment with vivid colors, superbly rendered details, and clear contrast.

- High-precision 850,000-pixel progressive CCD**
 The camera section uses a high-precision 1/3" 850,000-pixel progressive CCD to ensure accurate, detailed reproduction of presentation materials.

- Smooth video movement with 20 fps* frame rate**
 The rotation of 3-D objects or the action of writing to a document on the stage can be smoothly displayed and captured.

*fps (frame per second): The number of frames captured per second

- 48x zoom (12x optical zoom x 4x digital zoom)**
 Images can be magnified up to 48x when the 12x optical zoom is used in combination with the 4x digital zoom. This makes it easy to display items of widely varying sizes — from small 35-mm slides to large A3-size (420x297mm) documents — with clear, consistent results.

- Free stop arm for flexible acquisition**
Clear character mode

For improved text legibility, a clear character mode is provided. This increases the contrast of letters and symbols for a cleaner, sharper display.

- External input**
 You can switch the input source from the camera to a personal computer and vice versa.

- SD card slot**
 A built-in SD card slot lets you take advantage of removable large-capacity SD cards* that you can use to record or play back pictures. Pictures can be called up in 0.5 seconds and data stored in memory can be searched in 0.1-second intervals.

*For downloading the conversion software for SD card:
<http://www.jvc-victor.co.jp/english/pro/procv/download/index.html>

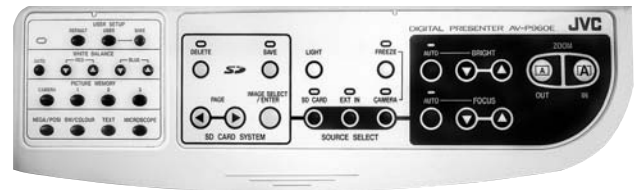
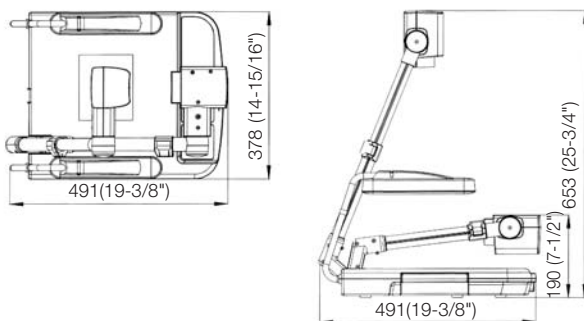
- Easy image transfer to a PC via USB interface**
 With a PC* connected to the USB interface, images stored in the AV-P960's built-in memory or on the SD card can be transferred to the PC* for storage or processing.

*Compatible OS: Windows® 98, ME, 2000 and XP

- Picture memory (3-screen)**
 Output pictures can be stored in the built-in picture memory and selected for display when required.
- Film and other transparent material acquisition with back illumination and Nega/Posi functions**

Dimensions

Unit: mm (inches)



Control Panel



Rear Panel

Specifications

GENERAL	
Power requirements	AC 100 V to 240 V, 50/60 Hz
Power consumption	0.5 A
Dimensions (W x H x D)	Open: 378 mm x 491 mm x 653 mm (14-15/16" x 19-3/8" x 25-3/4") Closed: 378 mm x 495 mm x 190 mm (14-15/16" x 19-1/2" x 7-1/2")
Weight	5.6 kg (12.3 lbs.)
Camera rotation angle	110° to the back and 20° to the front with the beam axis as 0°
Environmental temperature	5°C to 40°C (41°F to 104°F)
Environmental humidity	30% to 85%

OPTICAL	
Lens	F1.8 to F2.8, f = 5.4 mm to 64.8 mm (12x)
Shooting area	376 x 282 mm, max. (equivalent to the side of A3)
Focal distance	From stage surface to 50 mm above (with camera facing down, with close-up lens in place) Infinity to 0.8 m (with camera in horizontal position, without the close-up lens in place)
Zoom control	Optical 12x zoom lens x digital 4x zoom
Focus adjust	Auto/manual
Brightness adjust	Auto/manual

LIGHTING	
Side lamp	6 W x 2 (inverter lighting)
Backlight panel	4 W x 1 (inverter lighting, 127 x 100 mm)

CAMERA HEAD	
Output operation mode	Progressive mode: 1024 x 768 (H: 48.4 kHz/V: 60.0 Hz) Interface mode (NTSC/PAL switching): NTSC (H: 15.734 kHz/V: 59.94 Hz), PAL (H: 15.625 kHz/V: 50 Hz)
Image pickup device	1/3" progressive CCD
Total number of pixels	850,000 (1077H x 788V)
Frame rate	20 fps
Sync system	Internal sync
White balance	Auto/manual
3-way input select	Built-in camera, external input and SD card

INPUT/OUTPUT	
Input terminals	External input (D-SUB 15-pin, female) x 1
Output terminals	RGB (D-SUB 15-pin, female) x 1 Monitor (RCA phono, female) x 1
PC interface	USB (1.1) x 1, SD card system x 1
Control terminal	Remote RS-232C (D-SUB 9-pin, male) x 1

ACCESSORIES	
Video cable, power cord, wireless remote control unit, AA battery x 2, instructions	

Design and specifications subject to change without notice.

JVC®
 VICTOR COMPANY OF JAPAN, LIMITED

DISTRIBUTED BY